

# Southco® Compression Latches

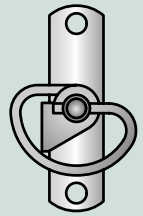
## Spring Latch Series

- **Economical latching solution**
- **Camming action of spring pawl provides wide grip range**
- **Four sizes available, each with a variety of head styles**
- **Rivet or weld mounting styles**

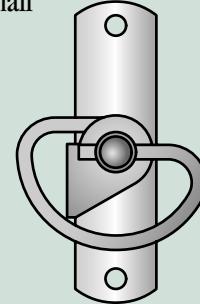


Shown Actual Size

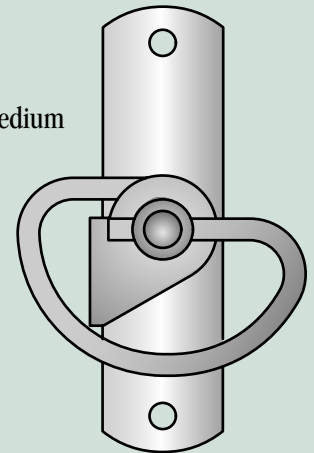
Miniature



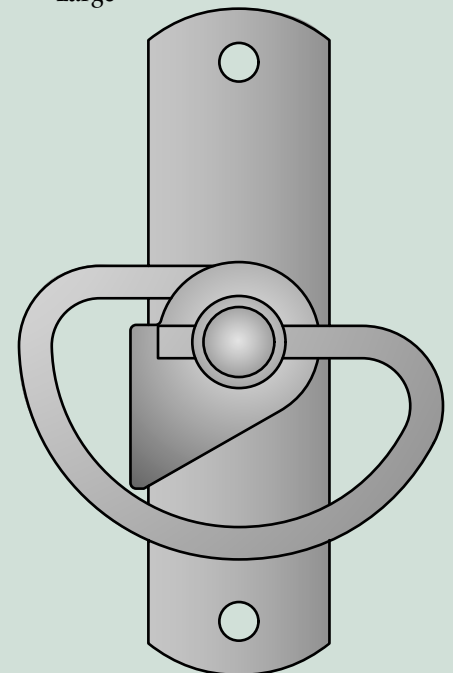
Small



Medium

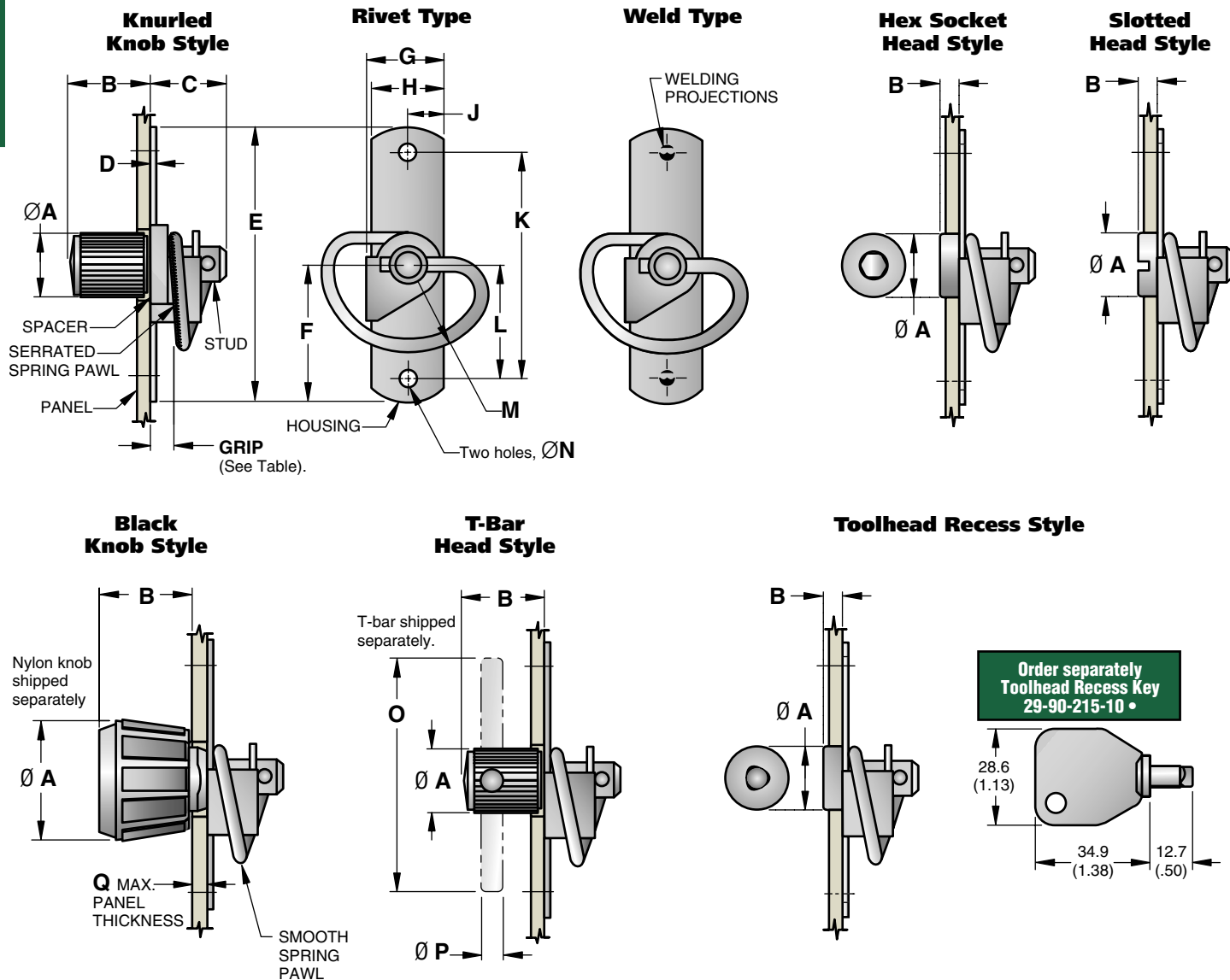


Large



# Southco® Compression Latches

## Spring Latch Series



### Dimension table

SIZE	HEAD STYLE	DIMENSIONS																
		Ø A	B	C	D	E	F	G	H	J	K	L	M	N	O	P	Q MAX. Panel Thickness	
Mini	Knurled	6.6 (.26)	11.9 (.47)															
	Slotted	6.4 (.25)	1.6 (.06)	7.5 (.30)	0.8 (.031)	27 (1.06)	13.5 (.53)	8.5 (.33)	7.1 (.28)	3.6 (.14)	22.2 (.875)	11.1 (.438)	8.6 (.34)	2.7 (.106)	—	—	—	
	Black Knob	13.5 (.53)	11.9 (.47)															3.2 (.125)
Small	Knurled	9.7 (.38)	11.9 (.47)															
	Slotted	9.5 (.38)	2.4 (.09)	11.1 (.44)	0.8 (.031)	39.7 (1.56)	19.8 (.78)	11.6 (.458)	10.6 (.416)	5.3 (.208)	33.3 (1.312)	16.7 (.656)	13 (.51)	2.7 (.106)	—	—	—	
	Black Knob	14.7 (.58)	15.1 (.59)															4.8 (.188)
Medium	Knurled	13.7 (.54)	17.5 (.69)															
	Slotted	11.9 (.47)	3.2 (.13)															
	Black Knob	24.1 (.95)	19.1 (.75)	17.5 (.69)	1.3 (.05)	58.7 (2.31)	29.4 (1.16)	17.5 (.69)	15.8 (.62)	7.9 (.31)	49.2 (1.94)	24.6 (.97)	19.6 (.77)	3.5 (.136)	—	—	—	6.4 (.250)
	Hex (4mm socket)	11.9 (.47)	3.2 (.13)															
	T-bar	13.7 (.54)	17.5 (.69)												50.8 (2.0)	4.8 (.19)		—
Toolhead Recess	14.3 (.56)	4.6 (.18)																
Large	Slotted	19.1 (.75)	4.8 (.19)															
	Black Knob	28.2 (1.11)	21.6 (.85)	25 (.98)	1.9 (.075)	88.9 (3.50)	44.5 (1.75)	26.2 (1.03)	23.8 (.94)	11.9 (.47)	74.6 (2.94)	37.3 (1.47)	29 (1.14)	5.2 (.203)	—	—	—	7.9 (.313)
	Hex (8mm socket)	19.1 (.75)	4.8 (.19)															
	T-bar	19.4 (.76)	26.2 (1.03)												63.5 (2.5)	6.4 (.25)		—



## Part number table

GRIP	SIZE	TYPE	SPRING STYLE	PART NUMBERS					
				HEAD STYLE					
				KNURLED	HEX SOCKET	SLOTTED	BLACK KNOB	T-BAR	TOOL-HEAD RECESS
1.2 (.05) MIN. 4.3 (.17) MAX.	Mini	Rivet	Smooth	57-20-201-10 •	—	57-20-101-10 •	57-20-401-10 •	—	—
		Weld	Smooth	57-20-202-50	—	57-20-102-50 •	—	—	—
1.2 (.05) MIN. 6.4 (.25) MAX.	Small	Rivet	Smooth	57-30-201-10 •	—	57-30-101-10 •	57-30-401-10 •	—	—
		Weld	Smooth	57-30-202-50 •	—	57-30-102-50 •	57-30-402-50 •	—	—
1.6 (.06) MIN. 9.5 (.38) MAX.	Medium (Steel)	Rivet	Smooth	57-10-201-10 •	57-10-801-10 •	57-10-101-10 •	57-10-401-10 •	57-10-301-10 •	—
			Serrated	57-10-211-10 •	57-10-811-10 •	57-10-111-10 •	57-10-411-10 •	57-10-311-10 •	57-T-10 •
		Weld	Smooth	57-10-202-50 •	57-10-802-50 •	57-10-102-50 •	57-10-402-50 •	—	—
			Serrated	57-10-212-50 •	—	57-10-112-50 •	57-10-412-50	57-10-312-50 •	—
Medium (Stainless)	Rivet	Smooth	57-10-201-40 •	—	57-10-101-40 •	—	—	—	
	Weld	Smooth	57-10-202-40 •	—	57-10-102-40 •	—	—	—	
6.4 (.25) MIN. 14.3 (.56) MAX.	Medium with Spacer	Rivet	Smooth	57-10-203-10 •	—	57-10-103-10 •	57-10-403-10 •	—	—
2.4 (.09) MIN. 14.3 (.56) MAX.	Large	Rivet	Smooth	—	57-40-801-10 •	57-40-101-10 •	57-40-401-10 •	57-40-301-10 •	—
			Serrated	—	57-40-811-10 •	57-40-111-10 •	57-40-411-10 •	57-40-311-10 •	—

### Material and Finish

#### Steel Assemblies

KNOB: Nylon, black.

SPRING: 302 Stainless steel, passivated.

HOUSING: 1010 Steel; rivet style-zinc plate, chromate plus sealer, weld style-copper plated.

T-BAR, T-BAR STUD and HEX DRIVE STUD: Low carbon steel, zinc plated.

BLACK KNOB STUD: Low carbon steel, zinc immersion coating.

OTHER STUDS: Low carbon steel, zinc plate, chromate plus sealer.

TOOLHEAD RECESS KEY: Case hardened steel with bright nickel plate.

SPACER: Steel, zinc alloy plate, bright chromate plus sealer.

#### All Stainless Steel Assemblies

SPRING and HOUSING: 302 Stainless steel, passivated.

STUDS: 303 Stainless steel, passivated.

### Product Strength Guidelines

(To assist in your product selection; samples are available for your evaluation.)

#### Flammability Rating

(Nylon knob): UL94 - HB

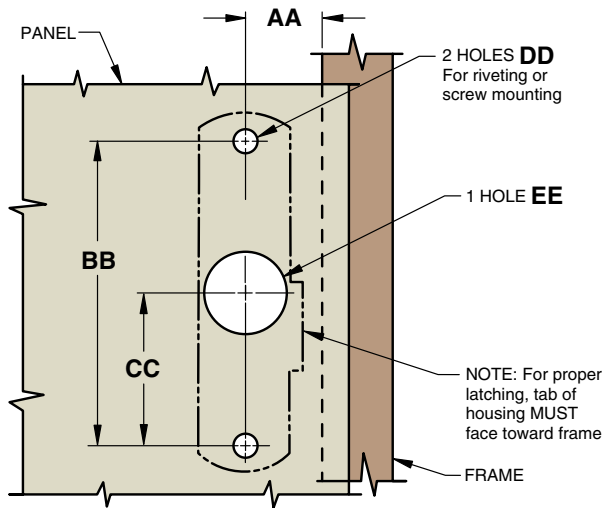
#### Operating Temperature Range

(Nylon knob): -20°C (0°F) to 80°C (180°F)

millimeter (inch)  
millimeter  
(inch)

Dimensions without tolerances are for reference only.

## Installation

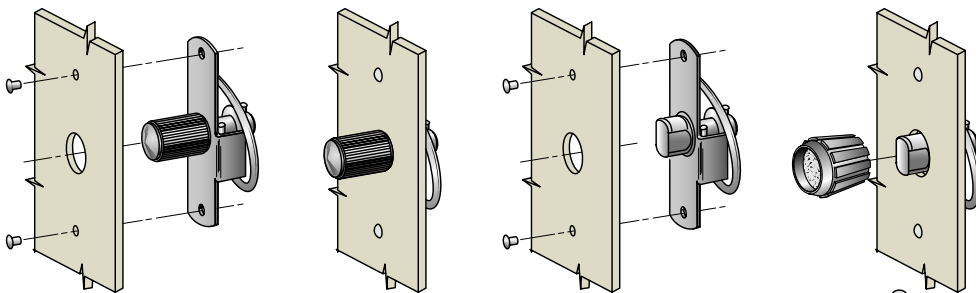


SIZE	HEAD STYLE	DIMENSIONS				
		AA	BB $\pm 0.1$ ( $\pm .005$ )	CC $\pm 0.1$ ( $\pm .005$ )	$\varnothing$ DD	$\varnothing$ EE
Mini	All Styles	5.6 (.22)	22.2 (.875)	11.1 (.438)	2.7 (.106)	7.2 (.283)
Small	All Styles	8.7 (.34)	33.3 (1.312)	16.7 (.656)	2.7 (.106)	10.5 (.406)
Medium	Knurled	12.7 (.50)	49.2 (1.938)	24.6 (.969)	3.5 (.136)	14.5 (.563)
	Slotted					13 (.50)
	Black Knob					16 (.625)
	Hex					13 (.50)
	T-bar					14.5 (.563)
	Toolhead					15.1 (.594)
Large	Black Knob	19.1 (.75)	74.6 (2.937)	37.3 (1.469)	5.2 (.20)	21 (.812)
	Bail Handle					12.5 (.484)
	All Other Styles					20 (.781)

### Knurled Knob

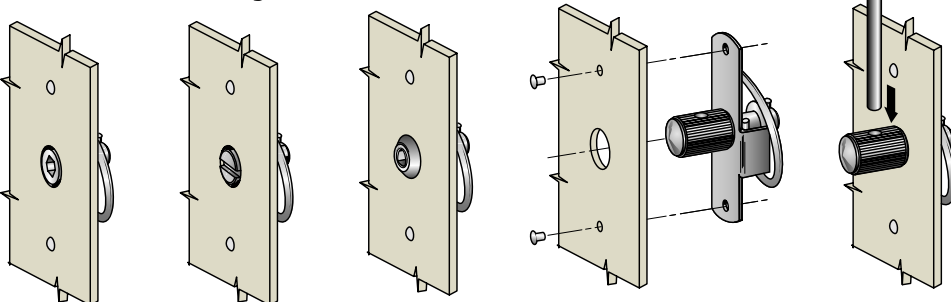
### Black Knob Style

NOTE: Install Knob AFTER installing latch.



### Hex Socket, Slotted and Tool-head Styles

### T-Bar Style



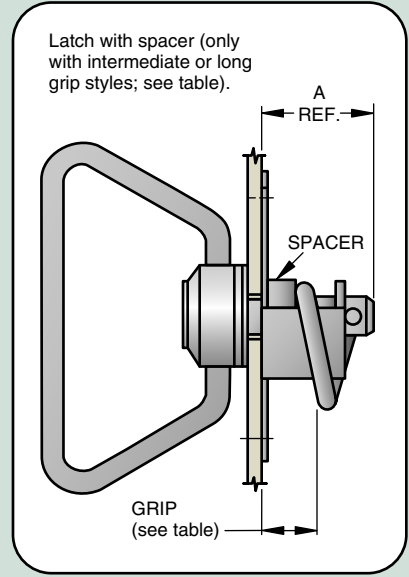
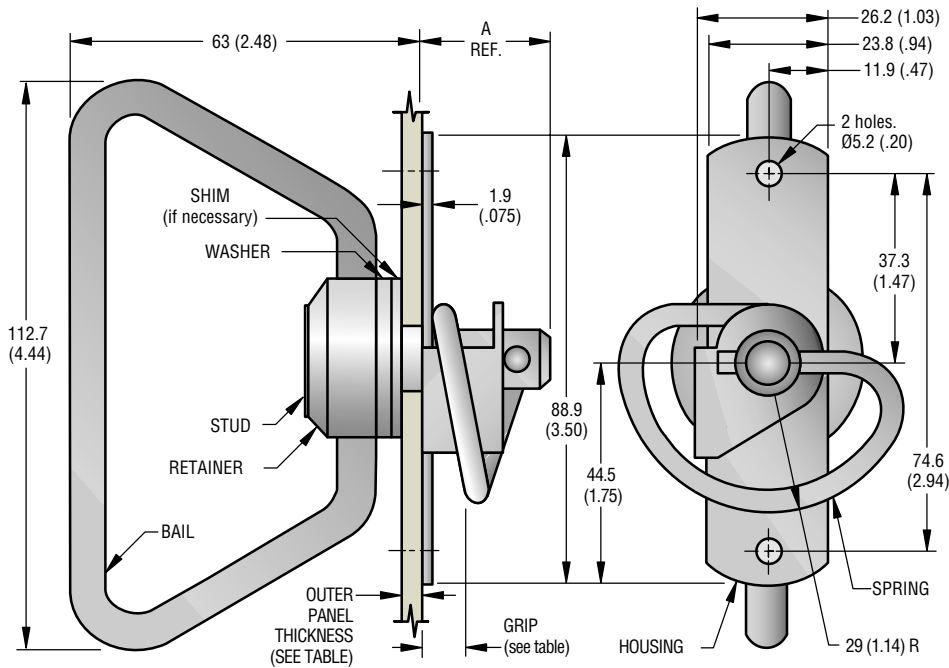
millimeter (inch)  
millimeter  
(inch)

Dimensions without tolerances are for reference only.

# Southco® Compression Latches

## Spring Latch Series, Bail-handle Style

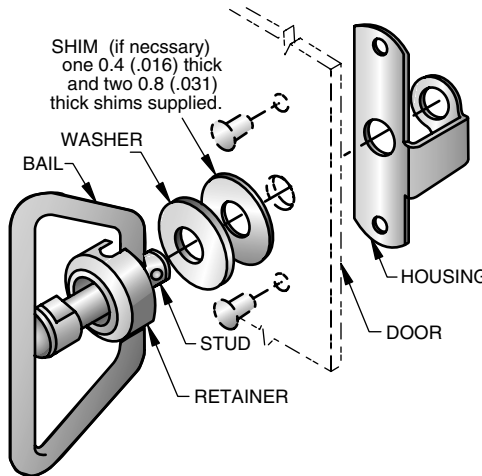
- An extra turn adjusts the amount of compression applied
- Camming action of spring pawl provides wide grip range
- Rivet or weld mounting styles



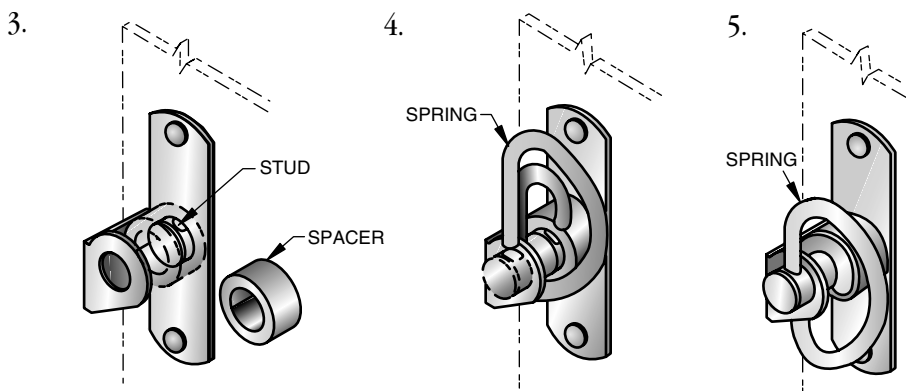
GRIP		A Ref.	MOUNT STYLE	PART NUMBERS
MIN.	MAX.			
2.4 (.09)	14.3 (.56)	25 (.98)	Rivet	57-40-701-80 •
			Weld	57-40-702-85 •
12.7 (.50)	24.6 (.97)	35.3 (1.39)	Rivet	57-40-704-80
			Weld	57-40-705-85
23.4 (.92)	35.3 (1.39)	46 (1.81)	Rivet	57-40-707-80
			Weld	57-40-708-85 •

### Installation

1. For panel preparation see previous page.
2. Assemble as shown.



OUTER PANEL THICKNESS	NUMBER OF SHIMS NEEDED
4.6 (.181) to 5 (.196)	None
4.2 (.165) to 4.6 (.180)	One - 0.4 (.016)
3.8 (.149) to 4.2 (.164)	One - 0.8 (.031)
3.4 (.133) to 3.8 (.148)	One - 0.8 (.031) thick and One - 0.4 (.016) thick
3 (.117) to 3.4 (.132)	Two - 0.8 (.031) thick
2.6 (.101) to 3 (.116)	Two - 0.8 (.031) thick and One - 0.4 (.016) thick



### Material and Finish

STUD: Low carbon steel, zinc plate, chromate plus sealer.  
 RETAINER: Die-cast zinc, chemical protective film.  
 BAIL: 1008 Steel, zinc plate, chromate plus sealer.  
 SHIMS: Nylon, black.  
 SPRING: 302 Stainless steel, passivated.  
 HOUSING: 1010 Steel; rivet style-zinc plate, chromate plus sealer; weld style-copper plated.  
 WASHER: 1010 Steel, zinc plate, chromate plus sealer.  
 SPACER: Low carbon steel, zinc plate, chromate plus sealer.

### Product Strength Guidelines

(To assist in your product selection; samples are available for your evaluation.)

#### Operating temperature range:

-20°C (0°F) to 80°C (180°F)

#### Flammability rating

(SHIM): UL 94-HB

millimeter (inch)  
 millimeter (inch)

Dimensions without tolerances are for reference only.